

INSTRUCTION SHEET

# A3PL push to test illuminated push button

**⚠ WARNING**

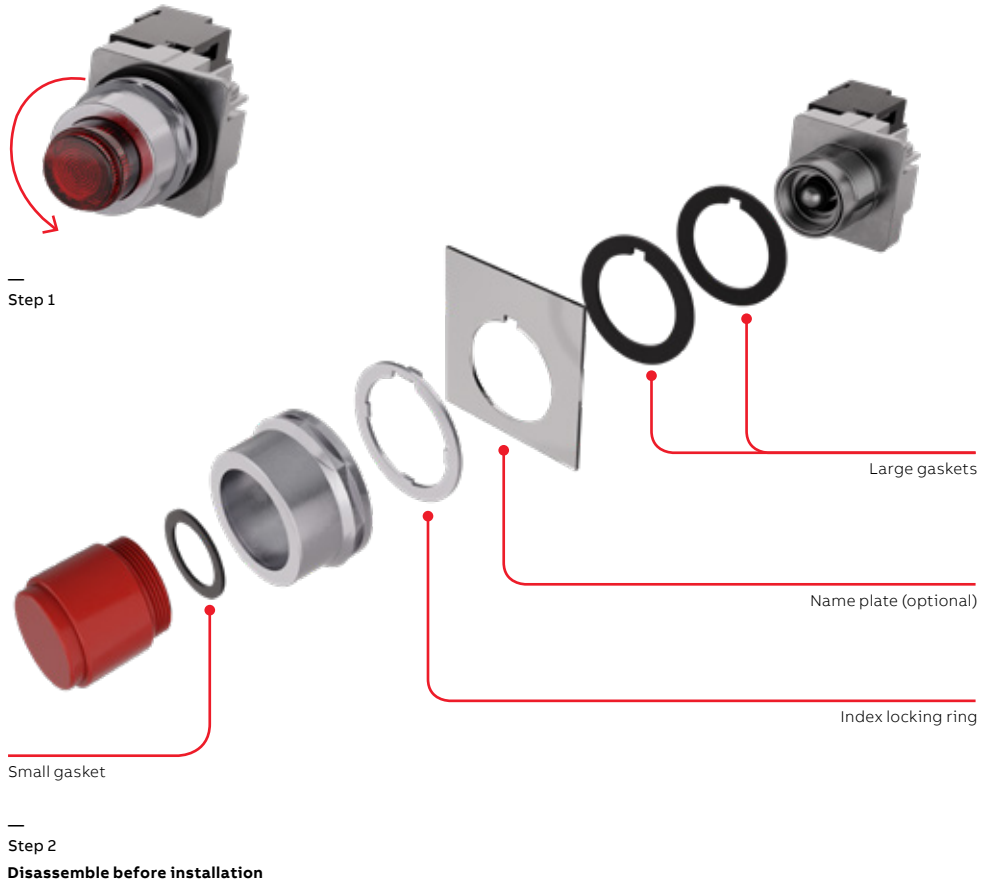
**Hazardous voltage. Can cause death, serious personal injury or property damage.**

To avoid electrical shock, turn off electrical power to controls before performing installation or maintenance.

For replacement parts information or an application guide, visit our website at [abb.com/low-voltage](http://abb.com/low-voltage) or contact your ABB representative.

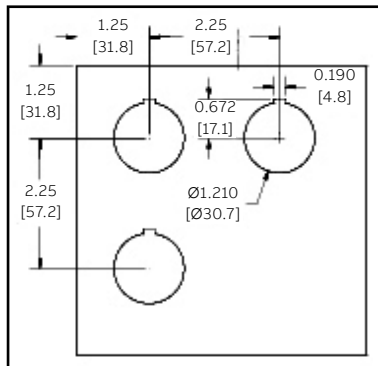
For more information on optional mounting kits, name plates and other accessories, visit [abb.com/low-voltage](http://abb.com/low-voltage).

Cat. no.  
A3PLF\_\_  
A3PLE\_\_

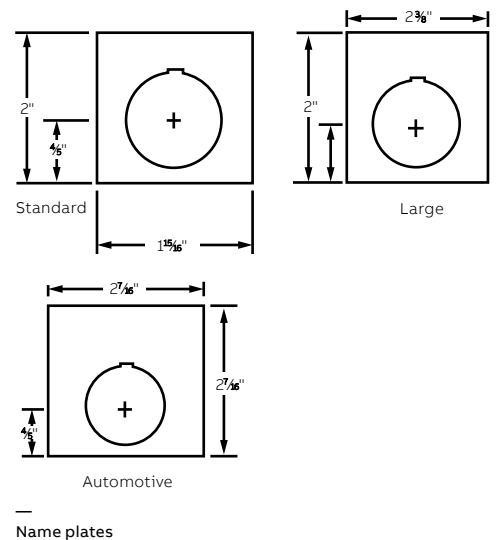


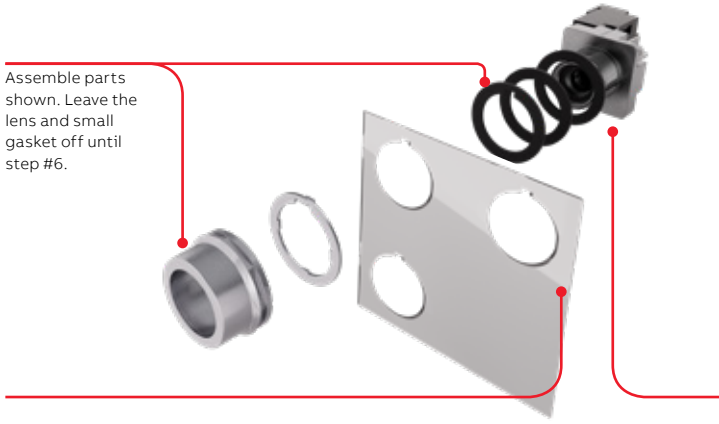
These instructions do not purport to cover all details or variations in equipment nor to provide for every possible contingency to be met in connection with installation, operation or maintenance. Should further information be desired or should particular problems arise that are not covered sufficiently for the purchaser's purpose, the matter should be referred to ABB Inc.

The contents of this instruction manual shall not become part of or modify any prior or existing agreement, commitment or relationship. The sales contract contains the entire obligation of ABB. The warranty contained in the contract between the parties is the sole warranty of ABB. Any statements contained herein do not create new warranties or modify the existing warranty.



— Step 3  
**Mounting hole pattern**  
Typical spacing shown. Automotive name plate requires 2.5" spacing. Some accessories also require additional spacing.

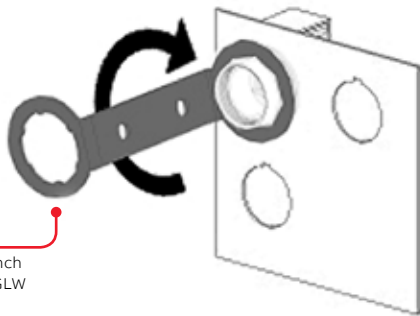




Assemble parts shown. Leave the lens and small gasket off until step #6.

Panel thickness range (inches)	Gaskets required
16 ga – 14 ga (0.060 – 0.075)	3
13 ga – 10 ga (0.090 – 0.135)	2
9 ga – 7 ga (0.150 – 0.188)	1

**Step 4**



Locknut wrench  
Cat. no. A3XGLW

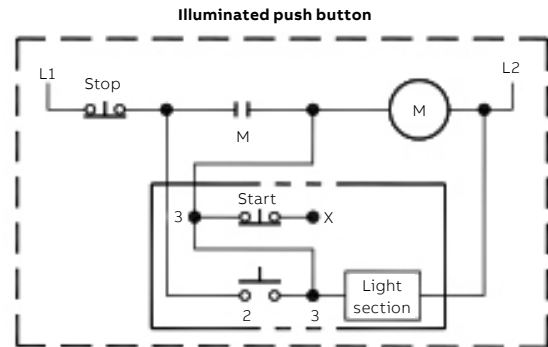
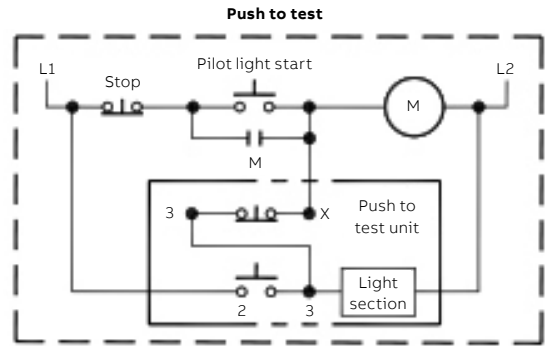
**Step 5**

Tighten locking nut to 40 ± 2 in-lb [4.5 Nm] recommended torque.

**Contact block & light module installation:**

Torque contact block retaining screws to 8 – 10 in-lb [0.9 – 1.1 Nm]  
Torque light module retaining screws to 4 – 5 in-lb [0.5 – 0.6 Nm]

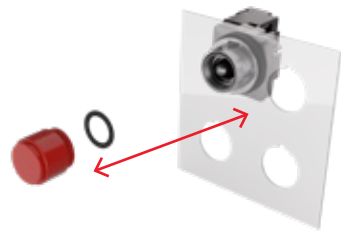
**Wiring instructions**  
(Typical motor controller applications)



**Replacement bulb chart**

Volts	Incandescent			LED lamp – single bulb		
	bulb	Red	Green	Yellow	White	Blue
6	#755*	A3XBL6R	A3XBL6G	A3XBL6Y	A3XBL6W	A3XBL6L
24	#757	A3XBL2R	A3XBL2G	A3XBL2Y	A3XBL2W	A3XBL2L
120	N/A	A3XBL4R	A3XBL4G	A3XBL4Y	A3XBL4W	A3XBL4L

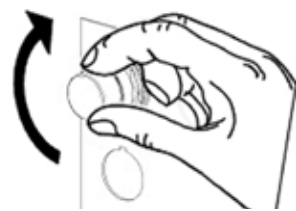
\*Also flashing lamp #267



**Step 6a**

**Plastic lens**

1. Place small gasket inside nut.
2. Insert lens into switch body.
3. Tighten securely by hand.



**Step 6b**

**USA**  
**ABB Inc.**  
305 Gregson Drive  
Cary, NC 27511

We reserve the right to make technical changes or modify the contents of this document without prior notice. With regard to purchase orders, the agreed particulars shall prevail. ABB Inc. does not accept any responsibility whatsoever for potential errors or possible lack of information in this document.

We reserve all rights in this document and in the subject matter and illustrations contained therein. Any reproduction or utilization of its contents – in whole or in parts – is forbidden without prior written consent of ABB Inc. Copyright© 2021 ABB. All rights reserved.